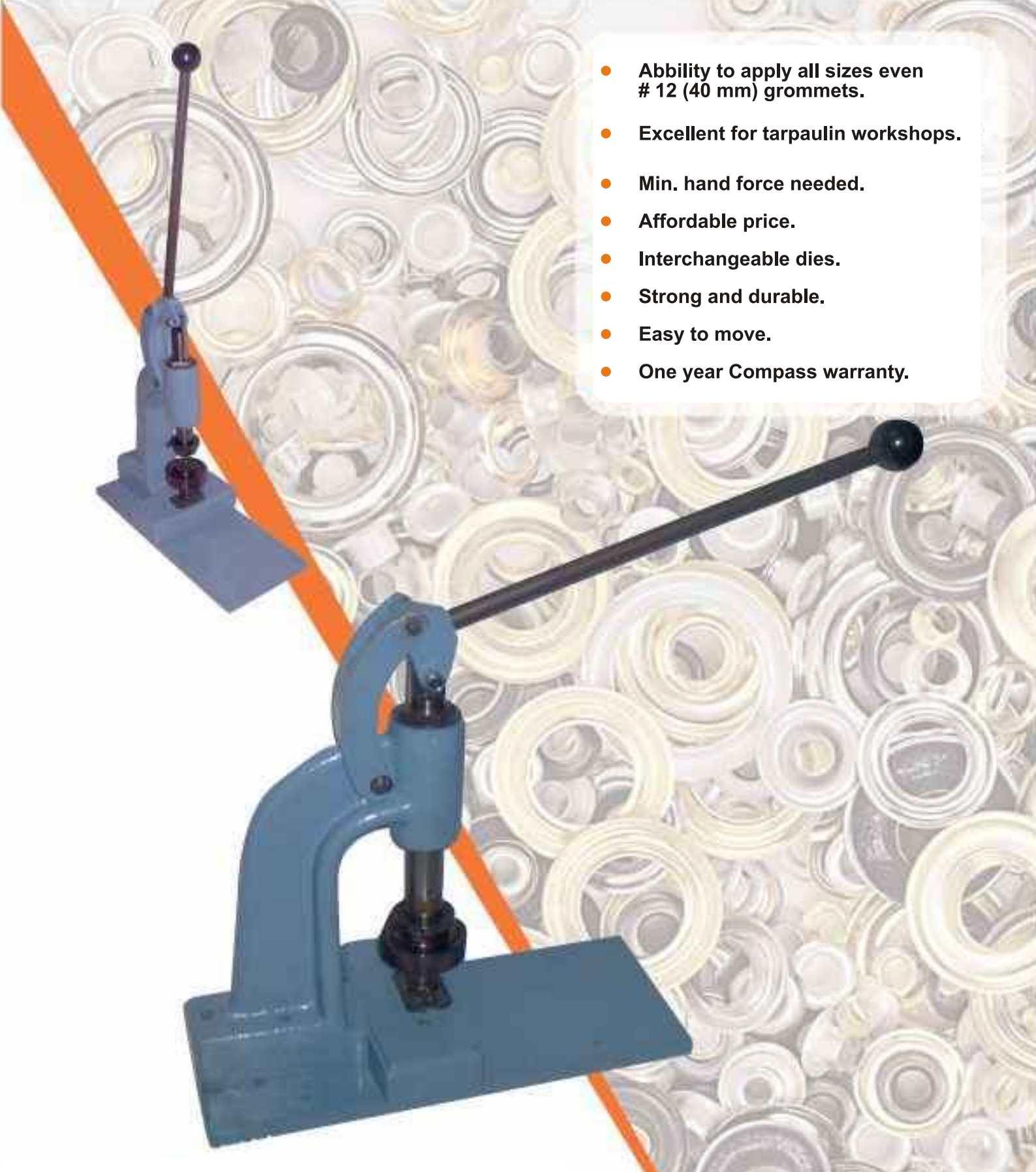


- 
- Ability to apply all sizes even # 12 (40 mm) grommets.
 - Excellent for tarpaulin workshops.
 - Min. hand force needed.
 - Affordable price.
 - Interchangeable dies.
 - Strong and durable.
 - Easy to move.
 - One year Compass warranty.

signing machines

advertising **equipments**

(+4) 0721.231.431
sales@compass.com.ro

100B Parangului Street, Craiova, Romania

COMPASS
MIND OPENER
www.compass.com.ro

NEW

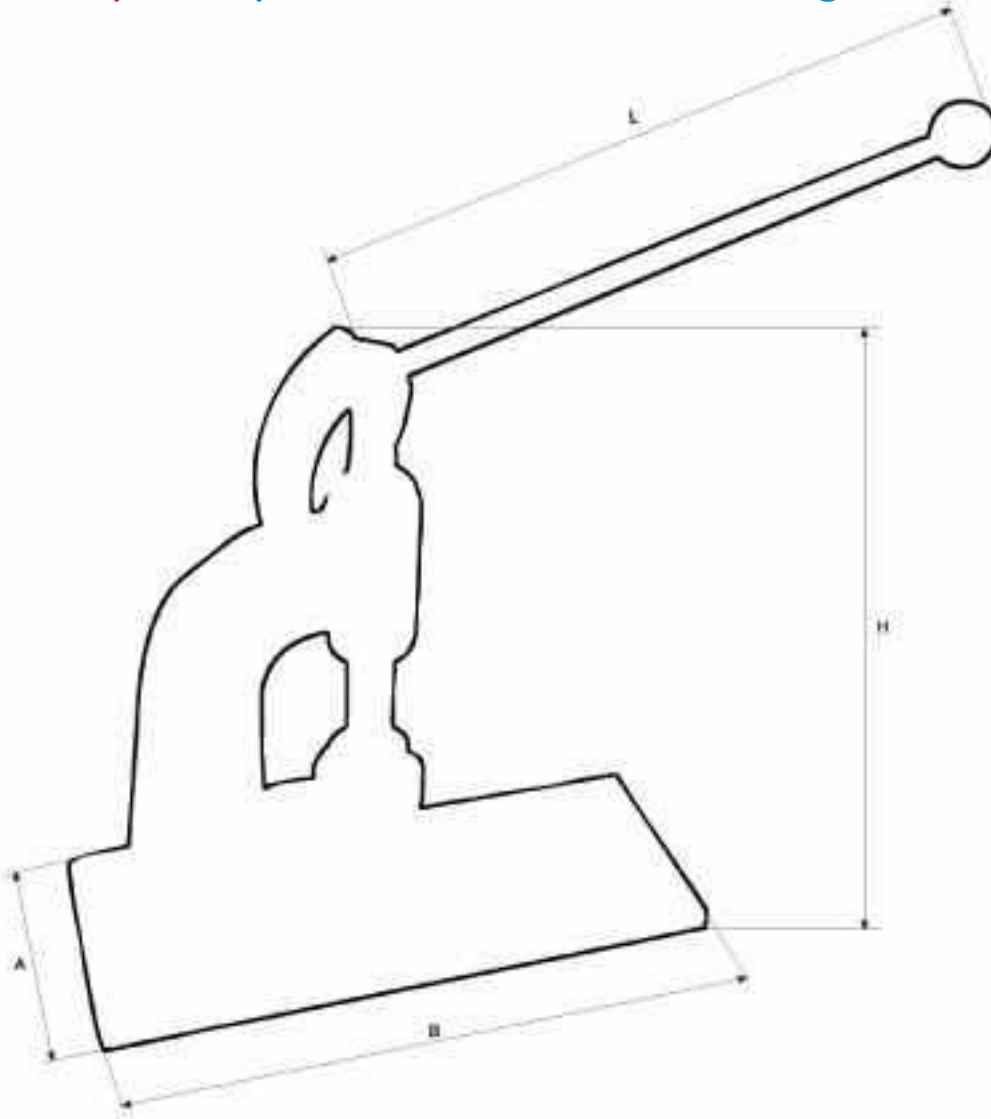
**Strong Hand Press
XHP-01**

www.graphtecromania.ro
www.bestprinters.ro
www.printandpromo.eu

we simply do amazing things™

Strong Hand Press XHP-01

XHP-01 is **Compass's** professional solution for all grommet applications.



Dimensions	inch / mm
A	6.29 / 100
B	15.75 / 400
L	15.75 / 400
H	15.75 / 400

Technical Features

Applicable Grommet Sizes : #12, #5.5, #3, #2, #2N and smaller sizes

Weight : 30.8 lbs/15 kg

Dimensions (Height*Width*Depth) : 15.75*6.29*15.75 inches/40*10*40 cm

Box dimensions (Height*Width*Depth): 16.1*11.4*7.5 inches/41*29*19 cm