



official distributor in Romania

advertising **solutions**

(+4) 0721.231.431
sales@compass.com.ro
100B Parangului Street, Craiova, Romania



www.graphtecromania.ro
www.bestprinters.ro
www.printandpromo.eu

we simply do amazing things™

Euro Price List

September 2008



KEENCUT Ltd
Baird Rd, Willowbrook Ind. Est.,
Corby, Northants. NN17 5ZA
www.keencut.co.uk

official distributor in Romania

advertising **solutions**



(+4) 0721.231.431
sales@compass.com.ro
100B Parangului Street, Craiova, Romania

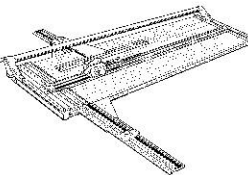
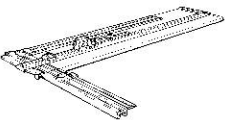
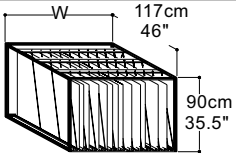
Euro Price List

September 2008

we simply do amazing things™

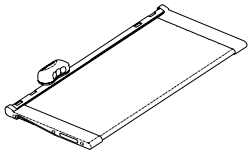
MAT CUTTING

Euro Price List

September 2008	Description	Size/type	Order code	Shipping weight - kg	Suggested List Price
ULTIMAT GOLD - Professional Straight Line Matcutter					
	ULTIMAT GOLD	1000 - 40"	KU11	17.94	€ 1,267
	ULTIMAT GOLD	1200 - 48"	KU12	19.42	€ 1,328
	ULTIMAT GOLD	1500 - 62"	KU13	22.26	€ 1,397
ACCESSORIES					
	2 x support arms, 60cm long		KX06	0.61	€ 63
	75cm ext. MG kit complete with 60cm arms		KX08	2.14	€ 126
	Multi angle cutting gauge		KX09	0.52	€ 93
	Wall mounting kit		KX10	3.00	€ 171
	Reverse bevel stop		KX30	0.03	€ 40
ARTIST PLUS - Straight Line Matcutter					
	ARTIST PLUS	760 - 30"	KA21	10.86	€ 760
	ARTIST PLUS	1000 - 40"	KA22	12.84	€ 806
	ARTIST PLUS	1200 - 48"	KA23	14.98	€ 846
MAT CUTTER BLADES FOR ULTIMAT GOLD & ARTIST PLUS					
	KEENCUT 080 (100's)	vertical cutting	CA50/010	0.23	€ 27
	TECH D 012 (100's)	bevel cutting	CA50/017	0.20	€ 24
	TECH D 015 (100's)	bevel cutting	CA50/020	0.25	€ 24
	TECH S 012 (100's)	bevel cutting	CA50/021	0.20	€ 24
	TECH S 015 (100's)	bevel cutting	CA50/030	0.25	€ 24
MATBOARD & FINISHED FRAME STORAGE UNIT					
		W=	NOTE:	Worktops n	
	10 SLOT UNIT	122 - 48"	PD02	39.00	€ 691
	7 SLOT UNIT	87.6 - 34.5"	PD07	32.00	€ 551
	10 SLOT EXTENSION UNIT	118 - 46.5"	PR02	32.50	€ 442
	7 SLOT EXTENSION UNIT	83.6 - 33"	PR07	25.50	€ 355
ACCESSORIES					
	Cantilever mat cutter supports		PO01	1.20	€ 34
	Stacking kit - to fix one unit on top of another		PG01	0.52	€ 40

ROTARY CUTTERS

Euro Price List

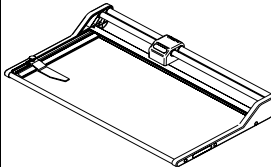
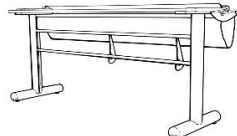
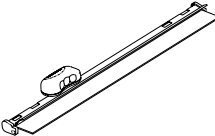
September 2008	Description	Size/type	Order code	Shipping weight - kg	Suggested List Price
TECHNIC - Advanced Rotary Cutter					
	TECHNIC ARC12	30cm - 12"	KT01	4.71	€ 234
	TECHNIC ARC15	38cm - 15"	KT02	5.25	€ 255
	TECHNIC ARC18	45cm - 18"	KT03	5.73	€ 268
	TECHNIC ARC24	61cm - 24"	KT04	6.82	€ 286
	TECHNIC ARC30	76cm - 30"	KT05	8.70	€ 355
	TECHNIC ARC36	91cm - 36"	KT06	9.76	€ 393
	TECHNIC ARC42	106cm - 42"	KT07	10.82	€ 416
	TECHNIC ARC48	122cm - 48"	KT08	11.88	€ 436
	TECHNIC ARC54	137cm - 54"	KT09	13.01	€ 471
	TECHNIC ARC60	152cm - 60"	KT10	14.06	€ 631
	TECHNIC ARC72	183cm - 72"	KT11	16.18	€ 683
	TECHNIC ARC100	254cm - 100"	KT12	21.20	€ 796
	TECHNIC ARC120	305cm - 120"	KT13	24.87	€ 893

100B Parangului Street, 200719 Craiova, Romania
Tel: +40-351- 451932 Tel/Fax: +40-251-414170, e-mail: sales@compass.com.ro



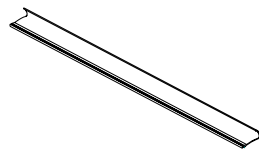
ROTARY CUTTERS (cont')

Euro Price List

September 2008	Description	Size/type	Order code	Shipping weight - kg	Suggested List Price
CLASSIC - Traditional Style Rotary Cutter					
	CLASSIC RC12	30cm - 12"	KC01	7.03	€ 195
	CLASSIC RC15	38cm - 15"	KC02	7.57	€ 220
	CLASSIC RC18	45cm - 18"	KC03	8.05	€ 256
	CLASSIC RC24	61cm - 24"	KC04	9.14	€ 296
	CLASSIC RC30	76cm - 30"	KC05	11.02	€ 365
	CLASSIC RC36	91cm - 36"	KC06	12.08	€ 412
	CLASSIC RC42	106cm - 42"	KC07	13.14	€ 477
	CLASSIC RC48	122cm - 48"	KC08	14.20	€ 523
	CLASSIC RC54	137cm - 54"	KC09	15.33	€ 577
STANDS TO SUIT TECHNIC AND CLASSIC.					
	Stand, waste catcher & roll bar for 76cm - 30" cutter		KX41		€ 379
	Stand, waste catcher & roll bar for 91cm - 36" cutter		KX42		€ 398
	Stand, waste catcher & roll bar for 106cm - 42" cutter		KX43		€ 433
	Stand, waste catcher & roll bar for 122cm - 48" cutter		KX44		€ 467
	Stand, waste catcher & roll bar for 137cm - 54" cutter		KX45		€ 488
	Stand, waste catcher & roll bar for 152cm - 60" cutter		KX46		€ 522
	Stand, waste catcher & roll bar for 183cm - 72" cutter		KX47		€ 599
	Stand, waste catcher & roll bar for 254cm - 100" cutter		KX48		€ 683
	Stand, waste catcher & roll bar for 305cm - 120" cutter		KX49		€ 755
ACCESSORIES					
	Extended measuring arm (Tech.&Clas.)	91cm - 36"	KX94	0.90	€ 93
BLADES					
	Technic cutting head complete		KX95	0.15	€ 98
	Technic replacement wheel set		KX96	0.08	€ 80
	Classic replacement wheel set		KX97	0.08	€ 34
TECHNIC TE - Advanced Rotary Cutter to fit to the Table Edge					
	TECHNIC TE40	100cm - 40"	KT51	7.95	€ 439
	TECHNIC TE60	150cm - 60"	KT52	10.24	€ 518
	TECHNIC TE80	200cm - 80"	KT53	12.89	€ 579
	TECHNIC TE100	250cm - 100"	KT54	15.36	€ 655
	TECHNIC TE120	300cm - 120"	KT55	18.50	€ 729
BLADES					
	Technic cutting head complete		KX95	0.15	€ 98
	Technic replacement wheel set		KX96	0.08	€ 80

STRAIGHT EDGES

Euro Price List

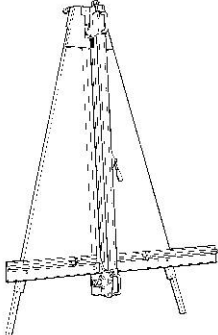
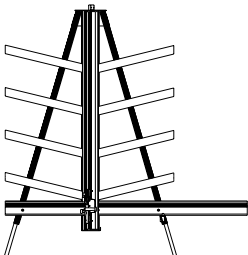
September 2008	Description	Size/type	Order code	Shipping weight - kg	Suggested List Price
SAFETY-EDGE - Precise, safe straight edges					
	SAFETY-STRAIGHT EDGE	60 - 24"	KS21	0.89	€ 46
	SAFETY-STRAIGHT EDGE	75 - 30"	KS22	1.10	€ 54
	SAFETY-STRAIGHT EDGE	90 - 36"	KS23	1.30	€ 61
	SAFETY-STRAIGHT EDGE	105 - 42"	KS24	1.51	€ 68
	SAFETY-STRAIGHT EDGE	120 - 48"	KS25	1.72	€ 75
	SAFETY-STRAIGHT EDGE	135 - 54"	KS26	1.92	€ 82
	SAFETY-STRAIGHT EDGE	150 - 60"	KS27	2.13	€ 87
	SAFETY-STRAIGHT EDGE	180 - 72"	KS28	2.34	€ 99

100B Parangului Street, 200719 Craiova, Romania
Tel: +40-351- 451932 Tel/Fax: +40-251-414170, e-mail: sales@compass.com.ro



SHEET MATERIAL CUTTERS

Euro Price List

September 2008	Description	Size/type	Order code	Shipping weight - kg	
EXCALIBUR					
	EXCALIBUR 5000	122 - 48"	KE01	56.01	€ 2,488
	EXCALIBUR 5000	160 - 63"	KE02	67.04	€ 2,488
	EXCALIBUR 1000X	160 - 63"	KE08	62.87	€ 2,074
	EXCALIBUR 1000XE	205 - 80"	KE09	66.34	€ 2,240
ACCESSORIES					
	Sightline strips (pack of 3)	All	KX11		€ 27
	Free Standing Kit	122 - 48"	KX16	5.92	€ 178
	Free Standing Kit	160/200-63/78"	KX17	6.25	€ 178
	Glass cutting cartridge for 1000 & 3000		KX26	0.03	€ 99
	Upgrade Kit TW Cutter & Counter Balance		KX39		€ 581
BLADES & GLASS CUTTING WHEELS					
	Replacement wheels/bearings for TW cutter		KX03	0.07	€ 45
	TW cutter head replacement for 3000 & 5000		KX18	0.53	€ 89
	TW cutter head - Exchange service - (*see below)		KX19	0.53	€ 47
	Keencut Scoring blades (pack of 5)		KX33	0.01	€ 6
	Keencut 080 superior quality utility blades (100's)		CA50/010	0.23	€ 33
	TC glass cutting wheel		CA50/015	0.01	€ 12
	Medium duty utility blades (100's)		CA50/019	0.25	€ 15
STEELTRAK					
	STEELTRAK ST165	165 - 65"	ST165		€ 2,848
	STEELTRAK ST210	210 - 82"	ST210		€ 3,260
ACCESSORIES					
	Sightline strips- yellow (pack of 3)		STSLS		€ 29
	Free Standing Kit	165 - 65" only	KX17	6.25	€ 173
	Glass Cutting Kit		STGLC		€ 135
BLADES & CUTTING WHEELS					
	Aluminium sheet cutting head		STALC		€ 99
	Replacement ali. cutting wheel set		STALW		€ 63
	Composite/MDF cutting head		STCOC		€ 99
	Replacement comp. cutting wheel set		STCOW		€ 63
	Keencut 080 superior quality utility blades (100's)		CA50/010	0.23	€ 33
	TC glass cutting wheel		CA50/015	0.01	€ 12
	Medium duty utility blades (100's)		CA50/019	0.25	€ 15

KX19 - Send your worn Excalibur cutting head (plate with wheels attached) direct to Keencut for refurbishment (UK only)





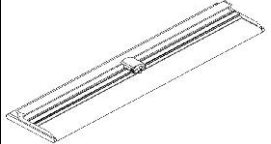
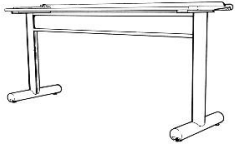
100B Parangului Street, 200719 Craiova, Romania
Tel : +40-351- 451932 Tel/Fax: +40-251-414170, e-mail : sales@compass.com.ro

Website <http://www.compass.com.ro>, www.graphtecromania.ro, www.craftrobo.ro



CUTTER BARS

Euro Price List

September 2008	Description	code	weight - kg	
JAVELIN - High Precision Cutter Bar				
	JAVELIN 1.0m	100cm - 40"	KJ01	6.32 € 597
	JAVELIN 1.5m	150cm - 60"	KJ02	8.00 € 636
	JAVELIN 2.0m	200cm - 80"	KJ03	22.06 € 698
	JAVELIN 2.5m	250cm - 100"	KJ04	27.01 € 792
	JAVELIN 3.0m	300cm - 120"	KJ05	32.32 € 993
	JAVELIN XTRA 1.1m	110cm - 44"	KJ11	7.26 € 597
	JAVELIN XTRA 1.6m	160cm - 64"	KJ12	8.94 € 636
	JAVELIN XTRA 2.1m	210cm - 84"	KJ13	23.00 € 698
	JAVELIN XTRA 2.6m	260cm - 104"	KJ14	27.95 € 792
	JAVELIN XTRA 3.1m	310cm - 124"	KJ15	33.26 € 993
PRACTIK - General Purpose Cutter Bar				
	PRACTIK 1.0m	100cm - 40"	KP01	4.35 € 498
	PRACTIK 1.5m	150cm - 60"	KP02	5.18 € 519
	PRACTIK 2.0m	200cm - 80"	KP03	18.38 € 548
	PRACTIK 2.5m	250cm - 100"	KP04	22.48 € 608
	PRACTIK 3.0m	300cm - 120"	KP05	26.58 € 729
MAX - Grand Format Cutter Bar				
	MAX 3.5m	350cm - 140"	KM01	23.20 € 930
	MAX 4.0m	400cm - 160"	KM02	26.32 € 964
	MAX 4.5m	450cm - 180"	KM03	29.44 € 1,029
	MAX 5.0m	500cm - 200"	KM04	32.56 € 1,164
ACCESSORIES FOR JAVELIN, PRACTIC & MAX				
	Big Bench	Please refer to Big Bench Section below		
	Surface mounted lift & hold mechanism	to suit all sizes	KX35	4 € 242
	SM Lift & Hold service kit		KX24	0.60 € 47
SABRE - General Purpose Cutter Bar on a base plate				
	SABRE 1.0m	100cm - 40"	KS11	12.86 € 732
	SABRE 1.5m	150cm - 60"	KS12	15.00 € 847
	SABRE 2.0m	200cm - 80"	KS13	17.14 € 965
	SABRE 2.5m	250cm - 100"	KS14	19.28 € 1,080
	SABRE 3.0m	300cm - 120"	KS15	21.42 € 1,198
STANDS FOR SABRE				
	Stand for Sabre 1.0m	100cm - 40"	KY42	€ 326
	Stand for Sabre 1.5m	150cm - 60"	KY45	€ 347
	Stand for Sabre 2.0m	200cm - 80"	KY47	€ 406
	Stand for Sabre 2.5m	250cm - 100"	KY48	€ 442
	Stand for sabre 3.0m	300cm - 120"	KY49	€ 472
				
ACCESSORIES FOR ALL CUTTER BARS				
	Yellow silicone cord, "I" section (10m -32')		KX12	€ 20
	Yellow silicone cord, round section (10m - 32')		KX14	€ 20
	White silicone cord, round section (10m - 32')		KX15	€ 20
	Extended measuring arm (Sabre)	91cm - 36"	KX98	0.90 € 95
BLADES				
	KEENCUT 080 superior quality utility blades (100's)	CA50/010	0.23	€ 35
	Medium Duty utility blades (100's)	CA50/019	0.25	€ 17
	KEENCUT XR blades (100's)	CA50/027	0.29	€ 22
	Keencut scoring blades (5's)	KX33	0.01	€ 7


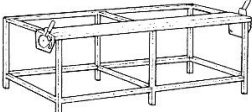

100B Parangului Street, 200719 Craiova, Romania
Tel : +40-351- 451932 Tel/Fax: +40-251-414170, e-mail : sales@compass.com.ro

Website <http://www.compass.com.ro>, www.graphtecromania.ro, www.craftrobo.ro



CUTTER BARS (cont')

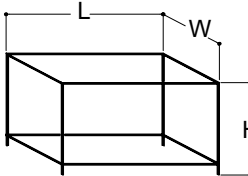
Euro Price List

September 2008	Description	Size/type	Order code	Shipping weight - kg	
TEXTILE CUTTER - Will fit any Cutter Bar.					
	TEXTILE CUTTER	ALL C/BARS	KX21		€ 29
BLADES					
	Circular Knives (10 pack)		KX29		€ 34
Big Bench - Combine with the Javelin, Practik or Max to provide the ultimat cutting solution					
	BIGBENCH 1.0m	100cm - 40"	KB01	29.41	€ 545
	BIGBENCH 1.5m	150cm - 60"	KB02	34.75	€ 602
	BIGBENCH 2.0m	200cm - 80"	KB03	47.00	€ 803
	BIGBENCH 2.5m	250cm - 100"	KB04	52.31	€ 857
	BIGBENCH 3.0m	300cm - 120"	KB05	58.03	€ 915
	BIGBENCH 3.5m	350cm - 140"	KB06	70.02	€ 1,118
	BIGBENCH 4.0m	400cm - 160"	KB07	75.48	€ 1,175
	BIGBENCH 4.5m	450cm - 180"	KB08	80.94	€ 1,231
	BIGBENCH 5.0m	500cm - 200"	KB09	92.93	€ 1,432
		BIGBENCH XTRA 1.1m	110cm - 44"	KB11	30.13
BIGBENCH XTRA 1.6m		160cm - 64"	KB12	35.47	€ 602
BIGBENCH XTRA 2.1m		210cm - 84"	KB13	47.72	€ 803
BIGBENCH XTRA 2.6m		260cm - 104"	KB14	53.03	€ 857
BIGBENCH XTRA 3.1m		310cm - 124"	KB15	58.75	€ 915
ACCESSORIES					
	Yellow silicone cord, round section (10m - 32")		KX14		€ 20
	White silicone cord, round section (10m - 32")		KX15		€ 20
	Lift & Hold service kit 15mm lift		KX22	0.50	€ 47
	Lift & Hold service kit 25mm lift		KX23	0.50	€ 47

NOTE: The Big Bench is not supplied with the worktop, but the fixings for it are provided.

WORK BENCHES

STANDARD WORKBENCHES

	Std. work bench W122 x L91 x H75 cms	PA02	17.74	€ 346
	Std. work bench W152 x L91 x H75 cms	PA03	19.31	€ 375
	Std. work bench W183 x L91 x H75 cms	PA05	20.93	€ 400
	Std. work bench W122 x L75 x H90 cms	PB02	18.22	€ 346
	Std. work bench W152 x L75 x H90 cms	PB03	19.79	€ 381
	Std. work bench W183 x L75 x H90 cms	PB05	21.41	€ 418
	Std. work bench W122 x L91 x H90 cms	PC02	18.97	€ 370
	Std. work bench W152 x L91 x H90 cms	PC03	20.54	€ 393
	Std. work bench W183 x L91 x H90 cms	PC05	22.15	€ 427
	ACCESSORIES			
	Leg extrusion cut to size - per 100cm/39" (Specify length)	PH01	2.00	€ 43
	Beam extrusion cut to size - per 100cm/39" (Specify length)	PJ01	1.24	€ 28
	Leg to beam fixing bracket with screws	PK01	0.06	€ 5
	Moulded leg cap - pack of 4	PL01	0.03	€ 4
	Beam end cover - pack of 2	PL02	0.04	€ 5
	Cover strip - per 200cm/79"	PM02	0.07	€ 4
	W/top fabric (w182cm/72") - per 100cm/39"	PN03	0.75	€ 28
	Adjustable foot	PP01	0.06	€ 5

NOTE: Non-standard benches are also available - contact Keencut for a quote to buy through your favourite distributor

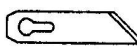




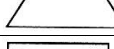






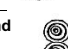
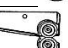
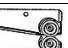
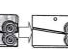




100B Parangului Street, 200719 Craiova, Romania
Tel : +40-351- 451932 Tel/Fax: +40-251-414170, e-mail : sales@compass.com.ro

Website <http://www.compass.com.ro>, www.graphtecromania.ro, www.craftrobo.ro



BLADE SELECTOR

Euro Price List

September 2008	Used for/on.....	Pack size	code	weight - kg	Order	Shipping
	NOTE: BC = Bevel Cut VC = Vertical Cut					
SM02 blades	 Standard cutting on Oval 6 & Rondo VC - Artist	50	CA50/003	0.09	€ 18	
SM03 blades	 Thick board/small ovals on Oval 6 & Rondo	50	CA50/008	0.10	€ 18	
KEENCUT 080	 VC - Ultimat Gold, Ultimat & Artist + BC/VC - Ace+, Ace, Laser, Arrow & Dart	100	CA50/010	0.23	€ 35	
Medium Duty Utility Blades	 Excalibur (all), Javelin/Practik/Max & Sabre VC - All matcutters except Artist	100	CA50/019	0.25	€ 17	
KEECUT XR	 Extra deep cutting (up to 13mm) Javelin, Practik, Max & Sabre	100	CA50/027	0.29	€ 22	
KEENCUT Scoring Blade	 For scoring thin acrylic on the Excalibur 1000/3000, Javelin, Practik, Max & Sabre	5	KX33	0.01	€ 7	
TECH D 012	 For bevel cutting standard mat board on the Ultimat Gold, Ultimat, Artist +, Ace + & Ace	100	CA50/017	0.20	€ 29	
TECH S 012	 For bevel cutting white-core & conservation mat board up to 3mm on the Ultimat Gold, Ultimat, Artist +, Ace + & Ace	100	CA50/021	0.20	€ 29	
TECH D 015	 For bevel cutting soft thicker boards (foam centred board) on the Ultimat Gold, Ultimat, Artist +, Ace + & Ace	100	CA50/020	0.25	€ 29	
TECH S 015	 For bevel cutting white-core & conservation mat board over 3mm on the Ultimat Gold, Ultimat, Artist +, Ace + & Ace	100	CA50/030	0.25	€ 29	
Tungsten Carbide glass cutting wheel	 Excalibur 3000 & 5000	each	CA50/015	0.01	€ 14	
TC glass cutting wheel in white holder	 System 4000 (later models)	each	CA50/018	0.01	€ 19	
TC glass cutting wheel in black holder	 System 4000 (earlier models), Rondo & Oval 6.	1	KX13	0.01	€ 16	
Replacement wheels and bearings for TW cutter	 Excalibur 3000 & 5000 System 4000	1	KX03	0.07	€ 37	
Twin Wheel cutter head replacement	 System 4000	1	KX02	1.24	€ 83	
Twin Wheel cutter head replacement	 Excalibur 3000 & 5000	1	KX18	0.53	€ 83	
Exchange service Twin Wheel cutter	 Send your worn TW cutting head to KEENCUT for full refurbishment. (UK only)	1	KX19	0.53	€ 42	
Technic cutting head complete	 Technic RC, TE and OE	1	KX95	0.15	€ 99	
Technic replacement wheel set	 Technic Advanced Rotary Cutters, inc. TE and OE	1	KX96	0.08	€ 80	
Classic replacement wheel set	 Classic Rotary Cutters	1	KX97	0.08	€ 34	

100B Parangului Street, 200719 Craiova, Romania
Tel : +40-351- 451932 Tel/Fax: +40-251-414170, e-mail : sales@compass.com.ro

Website <http://www.compass.com.ro>, www.graphtecromania.ro, www.craftrobo.ro

