

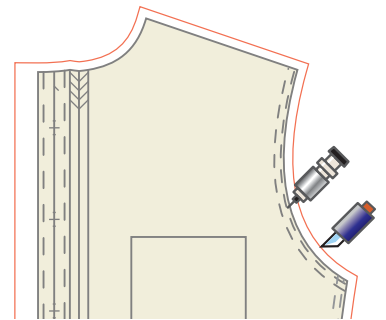
# GRAPHTEC

Garment Pattern Cutter

NEW

# CE5000-120AP

*Transform your pattern design work flow with the CE5000-120AP*



Enabling easy switching between plotting and cutting operations

Front loading for easy loading of heavy roll media



- ♣ Designed for ease of operation
- ♣ Reliable long-length output
- ♥ Fulfilled functions for Garment Pattern Cutter
- ♦ Superior price / performance

Taking full advantage of its experience and technologies in cutting plotter systems, Graphtec has created a new cutting plotter for garment pattern making with the apparel CAD system.

In addition to its suite of sophisticated features, the Cutting plotter is designed for easy of operation.

The CE5000-120AP cutting plotter helps turn garment designs into patterns both rapidly and accurately.

The CE5000-120AP is ideal for big companies, medium to small businesses, and SOHO.

It promises great potential as an aid in the apparel industry.

[www.graphtec.co.jp](http://www.graphtec.co.jp)

# Garment Pattern Cutter

# CE5000-120AP

## Affordable, user-friendly

### Designed for ease of operation with the front loading of roll media

The design features front loading for easy loading of heavy roll media. The stock roller also incorporates a stopper mechanism to facilitate the loading of even wide rolls. The output settings of the major apparel CAD manufacturer's software are selectable. This eliminates the need for any complicated settings by the user and enables immediate plotter output.

### Reliable long-length output, Handles pattern paper in widths up to 1,220mm

The CE5000-120AP is specifically designed for pattern making. The stand, roll media rack, and media basket are provided as standard to ensure the reliable long-length output that is frequently required in the apparel industry. The plotter can also be used with a wide range of pattern paper in widths up to a maximum of 1220 mm, and in a thickness range of 64 g/m<sup>2</sup> to 130 g/m<sup>2</sup>. A reliable tool for pattern-making.

### Seven different perforated line types provided for easy template separation

Seven different perforated line types are provided to enable clean, easy separation of the individual pattern pieces after cutting. A cross-cutter function is also provided.

### Dual pen system with a drawing pen and a cutter pen

The CE5000-120AP holds both a drawing pen to draw pattern and notch marks and a cutter pen to perforate the paper at the same time to enable easy switching between plotting and cutting operations. And dedicated plunger for oil-based ballpoint pen is newly provided.

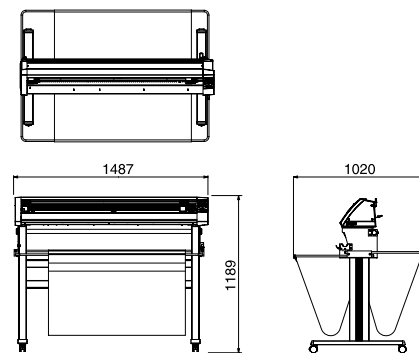
| Product specifications              |  |
|-------------------------------------|--|
| Item                                | CE5000-120AP   |
| Configuration                       | Grit-rolling   |
| Drive system                        | Digital servo  |
| Cutting area                        | Maximum cutting area   |
|                                     | Maximum guaranteed cutting area                                  |
| Compatible medias                   | Media widths   |
|                                     | Maximum roll media diameter                                      |
|                                     | Media types  |
| Maximum cutting speed               | 60 cm/s  |
| Specifiable cutting speeds          | 1 to 10, 15, 20, 25, 30, 35, 40, 45, 50, 55, 60 cm/s             |
| Cutting force                       | 20 to 300 gf (31 levels)   |
| Mechanical resolution               | 0.005 mm   |
| Programmable resolution             | GP-GL : 0.1/0.5/0.025/0.01 mm, HP-GL : 0.025 mm *3               |
| Repeatability precision             | Mechanical precision   |
|                                     | Guaranteed precision   |
| No. of pens mountable               | 2  |
| Compatible cutter blade             | Supersteel   |
| Compatible pen                      | Water-based fiber-tip pens, Oil-based ballpoint pens             |
| Interfaces                          | RS-232C/USB2.0 (full speed)                                      |
| Buffer capacity                     | 2 MB   |
| Command modes                       | GP-GL, HP-GLTM (control-panel selectable) *3                     |
| Display panel                       | LCD (16 characters x 1 row)                                      |
| Rated power supply                  | 100 to 240 VAC, 50/60 Hz (automatic selection)                   |
| Power consumption                   | 100 VA   |
| Operating environment               | 10 to 35 deg. C, 35 to 75 % RH (non condensing)                  |
| Conditions for guaranteed precision | 18 to 25 deg. C, 45 to 65 % RH (non condensing)                  |
| External dimensions (W x D x H)     | Approx. 1487 x 1020 x 1189 mm (including floor stand and basket) |
| Weight                              | Approx. 43 kg (including floor stand and basket)                 |
| Compatible OS                       | Windows 2000 / Windows XP  |
| Certification                       | CE, UL, FCC, RoHS, ChinaRoHS                                     |

\*1 When using Graphtec specified conditions.  
Using Graphtec supplied apparel pattern paper  
Setting the paper load to 5 times, the paper ready time to 180 s  
Necessary to reload the media after cutting continuous 5 pages  
Only when the operating environment is not changed during cutting operation  
If the environment is changed, following s are added to the repeatability precision  
0.1 mm/deg. C, 0.3 mm/10 % RH  
\*2 When using Graphtec specied Mylar film  
\*3 HP-GLTM is a registered trademark of hewlett-Packard company

| Supplies                        |               |  |
|---------------------------------|---------------|--|
| Designation                     | Part No.      | Description  |
| Cutter holder                   | PHP32-CB09N   | 1 holder for the 0.9-mm-diameter supersteel blade                          |
|                                 | PHP32-CB15N   | 1 holder for the 1.5-mm-diameter supersteel blade                          |
| Cutter blade                    | CB09UA-5      | Set of 5 0.9-mm-diameter supersteel blades                                 |
|                                 | CB15U-5       | Set of 5 1.5-mm-diameter supersteel blades                                 |
|                                 | CB15UB-5      | Set of 5 1.5-mm-diameter supersteel blades for cutting detailed characters |
| Water-based fiber-tip pen       | KF550-F8      | 1 pen each in red, black, violet, brown, blue, green, orange, and pink     |
|                                 | KF550-S1      | 2 black pens and 1 pen each in red, blue, and green                        |
|                                 | KF551-RD      | 5 red pens   |
|                                 | KF552-BK      | 5 black pens   |
|                                 | KF555-BL      | 5 blue pens  |
| Oil-based ballpoint pen plunger | KF556-GR      | 5 green pens   |
|                                 | PHP31-BALL-AP | 1 holder for oil-based ballpoint pen                                       |
| Oil-based ballpoint pen         | KB141-RD      | 5 red pens   |
|                                 | KB142-BK      | 5 black pens   |
|                                 | KB145-BL      | 5 blue pens  |
|                                 | KB146-GR      | 5 green pens   |
|                                 | KB140-S1      | 2 black pens and 1 pen each in red, blue, and green                        |

### External dimensions

Unit : mm (Tolerance : ±5 mm)



Brand names and product names listed in this brochure are the trademarks or registered trademarks of their respective owners. Specifications are subject to change without notice.

## GRAPHTEC

Graphtec Corporation

503-10 Shinano-cho, Totsuka-ku, Yokohama 244-8503, Japan

Tel : +81-45-825-6250 Fax : +81-45-825-6396

Email : webinfo@graphtec.co.jp

Website <http://www.graphteccorp.com>

