

**GRAPHTEC**

cutting-plotters experts

**COMPASS**  
MIND OPENER  
www.compass.com.ro

**NEW** Full Color Image Scanner **36" wide**  
**CSX300-09**

A 36inch face-up scanner designed for ease of use  
24-bit color (16.7 million colors) fine-scanning capability  
±0.1% high precision, 600-dpi optical resolution, 9600-dpi interpolated resolution  
Compact and lightweight design  
Comes with a new Scanning Master 21+ that implements the Simple Copy output function  
Conforms to the International Energy Star Program standard.

36" wide **NEW**  
Full Color Image Scanner  
**CSX300-09**



[www.graphteccorp.com](http://www.graphteccorp.com)

[www.compass.com.ro](http://www.compass.com.ro)

## ■ A 36inch face-up scanner designed for ease of use

The document is loaded so the scanning surface face up (Face-Up system), helping prevent scanning errors when the drawing is loaded.

## ■ 24-bit color (16.7 million colors) fine-scanning capability

The 24-bit color (16.7 million colors) capability enables fine scanning of even aerial photographs and graphics. Monochrome, grayscale, or color scanning can be selected, a key feature for making monochrome/color copies and easier archiving.

## ■ ±0.1% high precision, 600-dpi optical resolution, 9600-dpi interpolated resolution

In addition to the 600-dpi optical resolution, the CSX300 lets you select from 50-dpi through 9600-dpi interpolated resolution to suit the complexity of your drawing and scanning application.

## ■ Comes with a new Scanning Master 21+ that implements the Simple Copy output function

The bundled, easy-to-use Scanning Master 21+ software offers a Simple Copy button to further enhance scanner usability and to provide support for work procedures.

## ■ Conforms to the International Energy Star Program standard (released April 1, 2007)

If unused for a fixed period of time (13 minutes or longer), the scanner automatically enters standby to reduce power consumption (to 5 W or less).

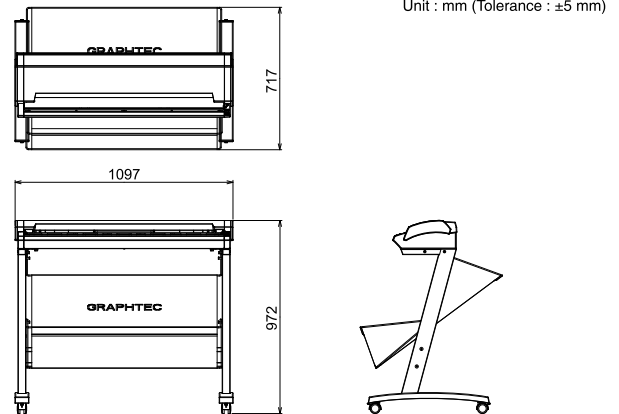
SPECIFICATIONS			
Model	CSX300-09		
Document sizes	JIS A0, A1, A2, A3, A4, DIN A0, A1, A2, A3, A4, ANSI Eng E, D, C, B, A ANSI Arch E, D, C, 30/36 inch		
Maximum scanning media widths	965 mm (38")		
Effective scan width	932.2 mm (36.7")		
Maximum scanning length	999 m (*1)		
Document thickness	1.5 mm		
Optical resolution	600 dpi		
Interpolated resolution	9600 dpi		
Main scanning system	Contact image sensor system (Five A4 sensors in a zigzag pattern)		
Sub scanning system	Sheet through system		
Scanning speed	High speed	Normal	High quality
Resolution 400 dpi	Monochrome	8 sec	14 sec
	Gray	23 sec	26 sec
	Color	62 sec	75 sec
Scanning precision	±0.1% or less, or ±1 pixel or less whichever is greater (*2)		
Gradation	256 shades		
Threshold value	Monochrome: Bi-level, Intermediate tones (dithering, error diffusion) Grayscale: 256 shades, Color: 24-bit		
Color space	sRGB		
Light source	LED (RGB)		
Interface	USB 2.0 (High speed)		
Rated power supply	100 to 120/200 to 240 VAC ±10%, 50/60 Hz		
Power consumption	Max: 60 W or less, Stand-by: 30 W or less, Power save: 5W or less (*3), (*4)		
Operating environment	Temperature: 10 to 35 deg. C, Humidity: 35 to 80 % RH		
Guaranteed precision	Temperature: 18 to 28 deg. C, Humidity: 40 to 70 %		
External dimensions	1097 mm (W) x 160 mm (H) x 322 mm (D) (approx.)		
	43.2" (W) x 6.3" (H) x 12.7" (D)		
External dimensions when installing optional stand	1097 mm (W) x 972 mm (H) x 717 mm (D)		
	43.2" (W) x 38.3" (H) x 28.2" (D)		
Weight	Unit: 25 kg, Stand (Option): 13 kg (approx.)		
Operating systems	Windows 2000 Professional, Windows XP (Home Edition)		
	Windows XP Professional, (Professional x64 Edition is not compatible)		
Conforming standard	UL, FCC class A (USA), CE mark (EU), CCC, EK mark, Energy star program version 1.0		

- (\*1) The maximum length of 999m can be set at the ScanningMaster21+. But actual scanning length varies depending on the specification of PC and the condition of scanned document.  
 (\*2) Scanning precision is guaranteed under following conditions  
 Temperature: 18 to 28 deg. C, Humidity: 40 to 70% RH  
 Scan mode: Bi-level, Scan quality: Normal, Resolution: 600 dpi  
 Document: Graphtec specified standard media : Mylar #300, 841mm (W) x 1189mm (L)  
 (\*3) Power save mode is set when the document is not loaded and not operated more than 13minutes  
 (\*4) Power save mode is canceled when document is loaded

STANDARD ACCESSORIES		
Item	Qty	Remark
Power cable	1	
Calibration sheet (Black & White calibration)	1 set	with carton box
USB interface cable (Length: 2.9 m)	1	
Cleaning paper	1 set	
Quick Start Guide	1	
CD-ROM	1	Manual, ScanningMaster 21+, TWAIN driver

OPTIONS	
Item	Model
Carrier sheet A0	IS0922
Carrier sheet A1	IS0908
Calibration sheet	IS0925
Scanning Master Pro Color	OP5115-STD
A0 stand with basket	ST0074
Cleaning paper	EM-CP

### EXTERNAL DIMENSIONS



Brand names and product names listed in this brochure are the trademarks or registered trademarks of their respective owners. Specifications are subject to change without notice.



## GRAPHTEC

Graphtec Corporation

503-10 Shinano-cho, Totsuka-ku, Yokohama 244-8503, Japan

Tel : +81-45-825-6250 Fax : +81-45-825-6396

Email : webinfo@graphtec.co.jp

Website <http://www.graphteccorp.com>

signing machines

[www.graphtecromania.ro](http://www.graphtecromania.ro)

(+4) 0251.4141.70

sales@compass.com.ro

100B Parangului Street, Craiova, Romania

cutting-plotter experts

## COMPASS

MIND OPENER

[www.compass.com.ro](http://www.compass.com.ro)